

THE MOST PROFITABLE BUS CHASSIS IN ITS CLASS.



To know more give us a missed call on:
1800 315 7799
visit www.mahindratruckandbus.com



Mahindra
CRUZIO
GRANDE

A STRONG FOUNDATION FOR COUNTLESS CUSTOMISATIONS

Why buy a ready-to-drive chassis rather than a ready-to-drive bus? Because when it comes to growing your business, you're in the driver's seat. Because you know your business better than anyone. Be it for comfort, safety or convenience, you can customise a ready-to-drive chassis to create your dream bus that perfectly matches your own unique needs and goals.

BE THE TREND-SETTER

Thanks to its numerous customisable options, you can equip the ready-to-drive chassis of your bus with the latest trends and advanced technology available in the bus market.

- Air-conditioning
- Customised interiors and exteriors
- Pushback/ reclining seats
- Reverse cameras, CCTVs, LED destination board and more
- 2x1, 2x2, 3x2 seating configurations

PERFECT FOR ALL JOURNEYS

From schools to employee transport to stage buses, with a ready-to-drive chassis, you can build your own bus that will make you and your target audience happy.

Schools:

- Safety features like CCTV, AC, reverse camera, GPS tracking
- Double door options
- Customised seating capacity

Employee transport / travels:

- Push-back seating options
- Styling with company themes and colours
- USB charging facility
- Rear dickey for weekend getaways
- Infotainment system

Stage buses:

- Customisable looks & seating capacity
- Heavy duty bus body structure
- Features like destination board, CCTV, reverse camera, PA system



PRESENTING THE NEWEST ADDITION IN OUR CHASSIS RANGE

Here is a chassis that gives the extra mileage to drive the nation and your business ahead. Presenting the all-new Mahindra CRUZIO GRANDE LPO CHASSIS BS6. The best in class chassis is backed by the legacy of Mahindra and assures you unrivaled performance, mileage, and economy.



Best-in-Class mileage



Customise as per your safety



Tailor made as per your comfort



Personalise as per your convenience



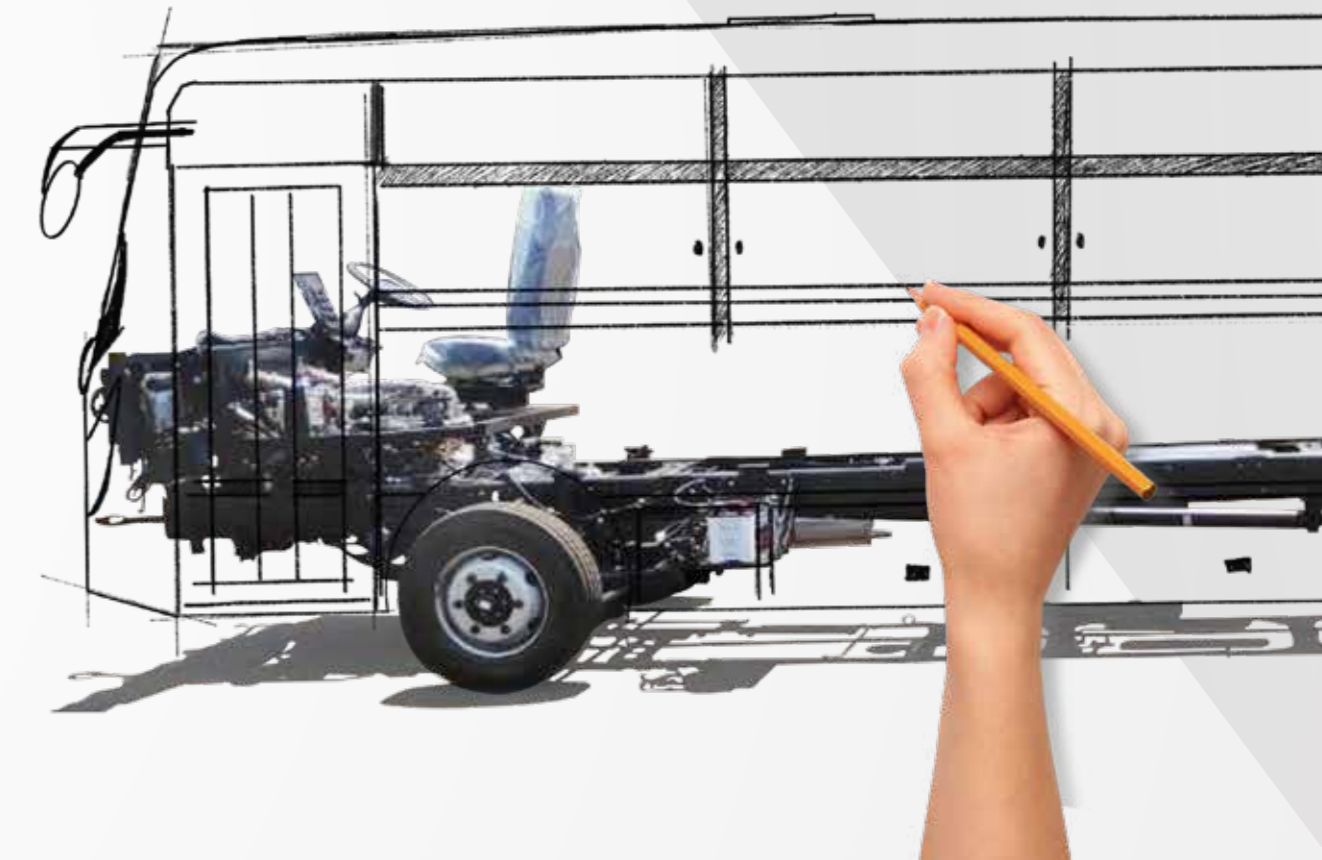
Ability to modify seating capacity

POWERED WITH EVERYTHING YOU NEED TO MOVE AHEAD

- Optimum power of 103 kW
- All-New Chassis with extra FOH
- Enabled with clean LHS space for bigger Side Dickey



Powered with mDi tech engine with Fuel Smart technology



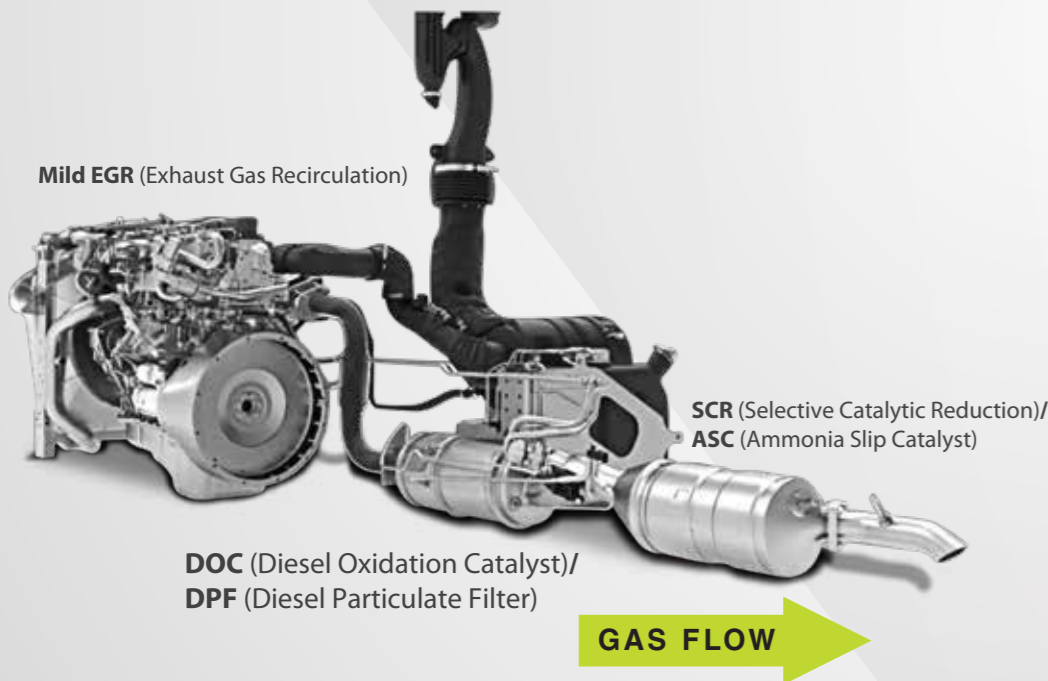
OUR FOUR PILLARS OF SUPPORT

Be it for owners, drivers, or passengers, every creation of Mahindra Trucks & Bus has always catered to the need of every stakeholder. And Mahindra CRUZIO GRANDE LPO Chassis BS6 is no different. With the best of comfort, safety, and convenience, Mahindra CRUZIO GRANDE is truly an all-in-one chassis that powers your profits as well.

GIVING MORE MILEAGE FOR YOUR PROFIT

Engineered with the trusted features of Mahindra, Mahindra CRUZIO GRANDE LPO Chassis BS6 is equipped with everything needed to drive ahead your profits:

Proven Bosch ATS System



EGR + SCR with acclaimed Bosch ATS System gives low AdBlue consumption

THE JOURNEY CALLED LIFE MADE MORE COMFORTABLE

Engineered with the trusted features of Mahindra, Mahindra CRUZIO GRANDE LPO Chassis BS6 is equipped with everything needed to drive ahead your profits:



Equipped with a big clutch diameter (362 mm), brakes and clutch booster for comfortable ride. And this gives less clutch effort to drivers and a smooth driving experience.



4 Way adjustable and full reclining driver seat, which gives a comfortable driving experience.



Experience more comfort with tilt and telescopic steering and highly adjustable driving position



Wider seats due to wider body



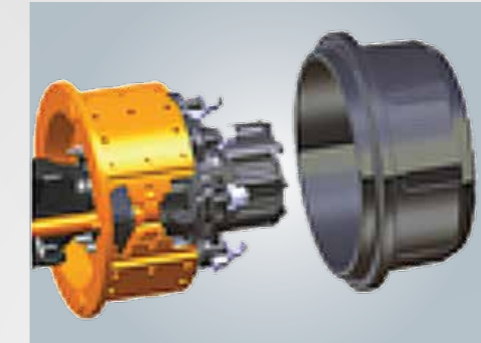
Soft parabolic suspension helps to avoid jerks on the road

ALWAYS ON THE SAFE SIDE

It is designed and engineered with high degree of safety. The trusted features of Mahindra make sure that you are on a safe side while traveling.



Equipped with projector lamps that give better light spread and good night vision



Powered with big brakes that provide better braking confidence and maximum safety for the drivers



The anti-roll bar gives better stability and safety on high speed



Tubeless tyres and lowered floor height provide higher safety and comfort

THE DELIGHT OF UNMATCHED CONVENIENCE

Designed with some thoughtful additions to make the journey more convenient.



Powered with a driver information system that gives useful alerts and helps prevent breakdown



Equipped with a powerful battery



Supports increased electrical load like USB Charger



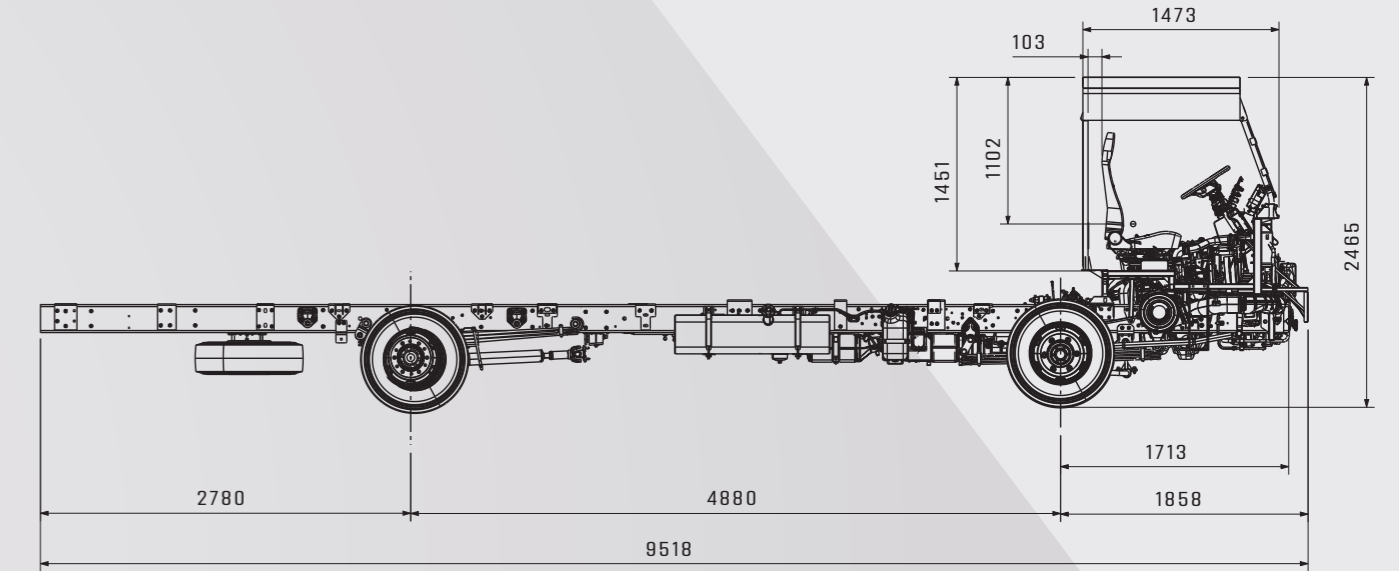
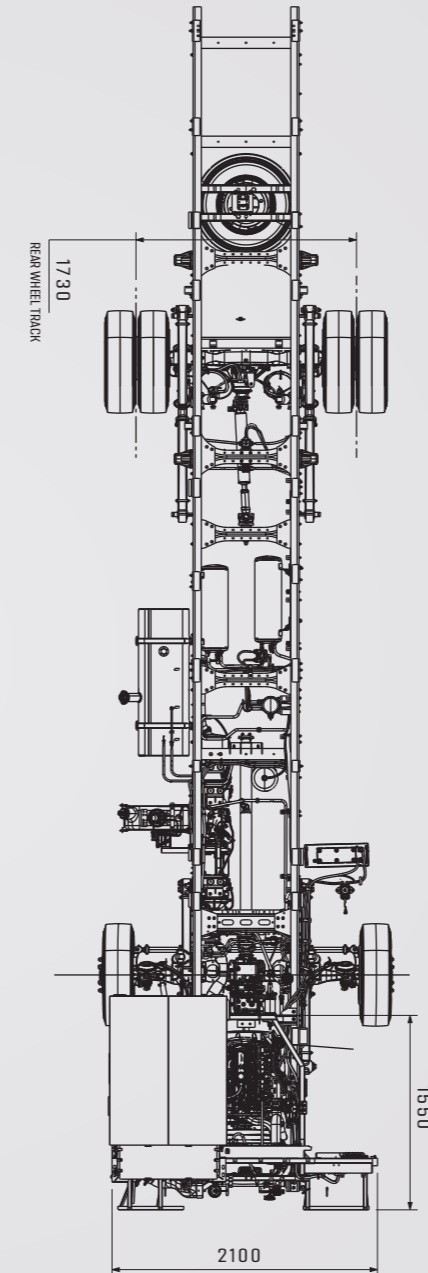
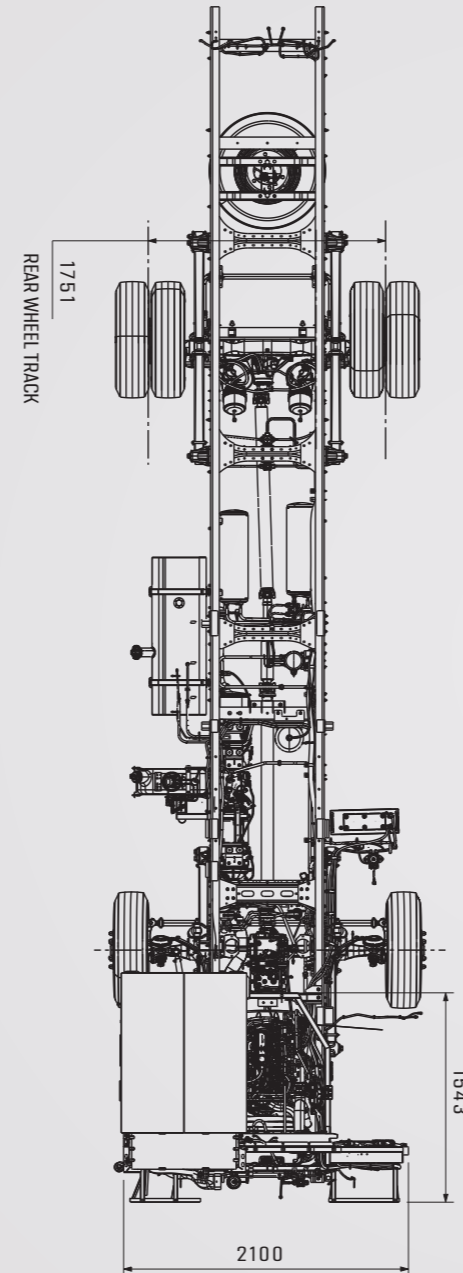
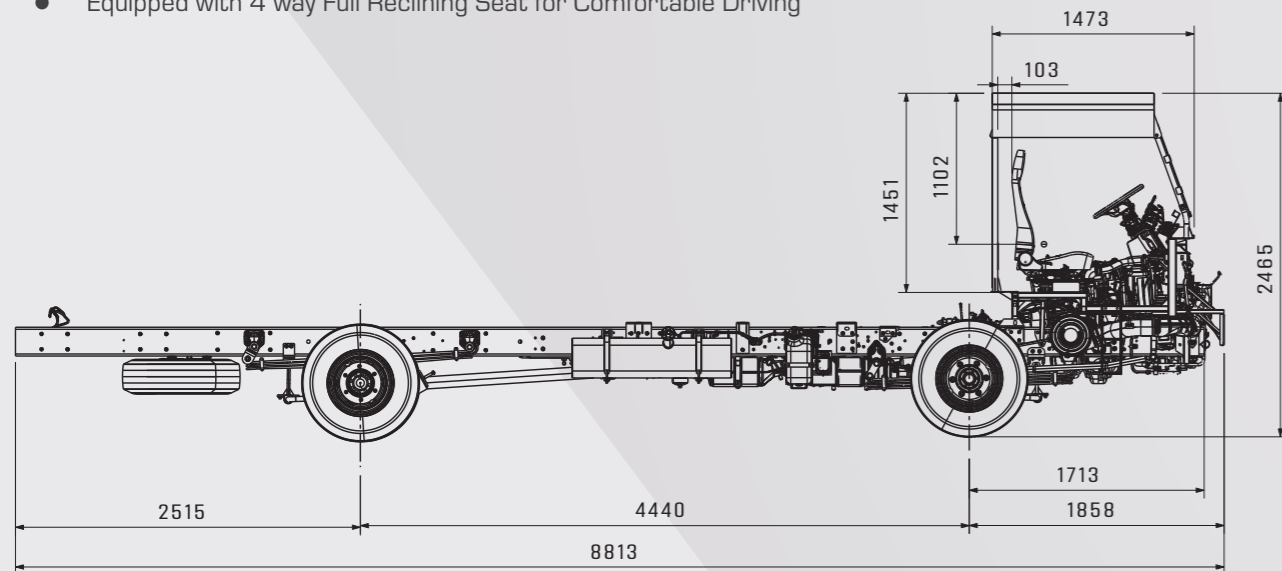
A bigger side socket provides more space for extra luggage

BE READY TO DRIVE WITH INNOVATION.

KING OF MILEAGE. ALSO, THE KING OF THE ROAD. MAHINDRA CRUZIO GRANDE 4440 mm (Wheelbase)

Mahindra CRUZIO GRANDE 4440 ready-to-drive chassis is in a league of its own. Engineered with unique features along with the latest in technology, we at Mahindra have gone the extra mile to make this ready-to-drive chassis a chassis like no other.

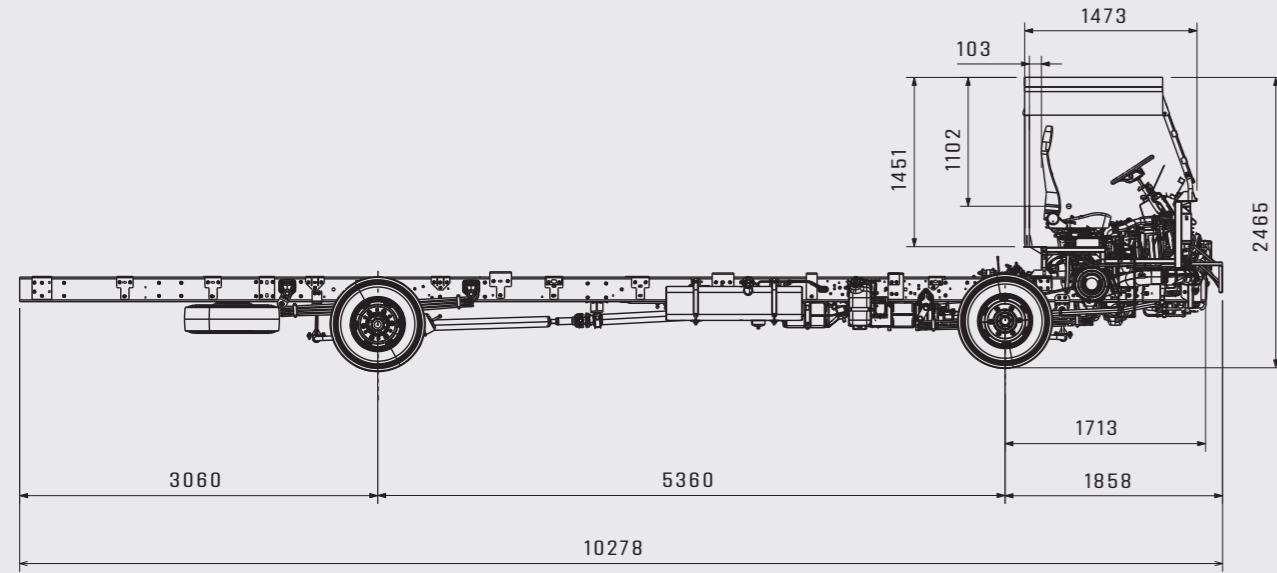
- Powered with mDi Tech Engine with Fuel Smart Technology
- Wider & Longer Chassis for More Seats
- Biggest Clutch & Brakes for comfortable ride
- Most Suitable for Staff, School, Stage, and Tourist
- Parabolic Suspension with Rubber Tip for maximum comfort and low NVH
- Tilt and Telescopic Power Steering
- Equipped with 4 way Full Reclining Seat for Comfortable Driving



POWERED WITH MILEAGE. POWERED WITH UNMATCHED PERFORMANCE. MAHINDRA CRUZIO GRANDE 4880 mm (Wheelbase)

Mahindra CRUZIO GRANDE 4880 RTD is powered with the latest in technology. We at Mahindra have made sure that the features of this chassis are way ahead of its time.

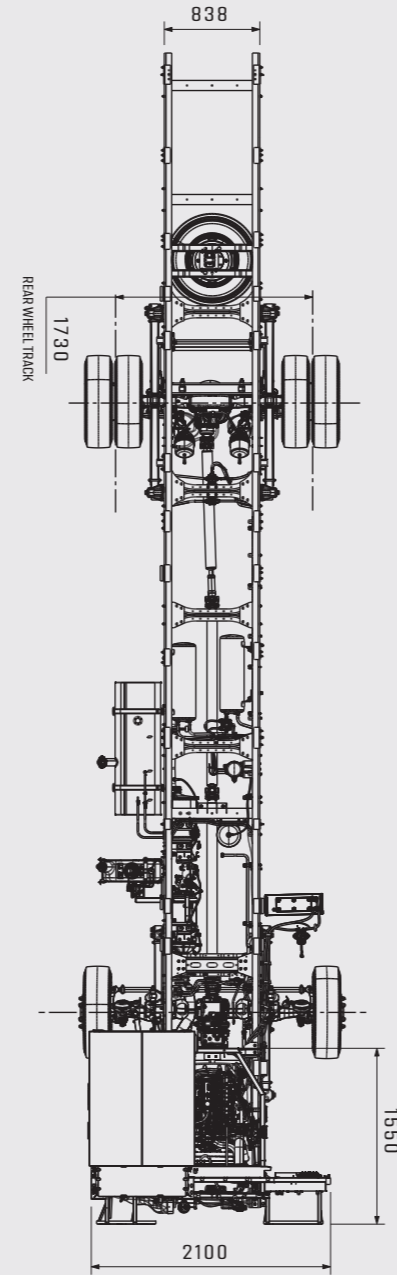
- Powered with mDi Tech Engine with Fuel Smart Technology
- Wider and longer chassis for more seats
- Biggest clutch and brakes for comfortable ride
- Most suitable for staff, school and stage
- Parabolic suspension with rubber tip for maximum comfort and low NVH
- Tilt and telescopic power steering with 4-way full reclining seats for comfortable driving



**WITH EXTRA MILEAGE, GET READY TO DRIVE AHEAD IN LIFE.
MAHINDRA CRUZIO GRANDE 5360 mm (Wheelbase)**

Mahindra CRUZIO GRANDE 5360 RTD is powered with the latest in technology. We at Mahindra have made sure that the features of this chassis are way ahead of its time.

- Powered with mDi Tech Engine with Fuel Smart Technology
- Wider and longer chassis for more seats
- Biggest clutch and brakes for comfortable ride
- Most suitable for staff, school and stage
- Parabolic suspension with rubber tip for maximum comfort and low NVH
- Tilt and telescopic power steering with 4-way full reclining seats for comfortable driving

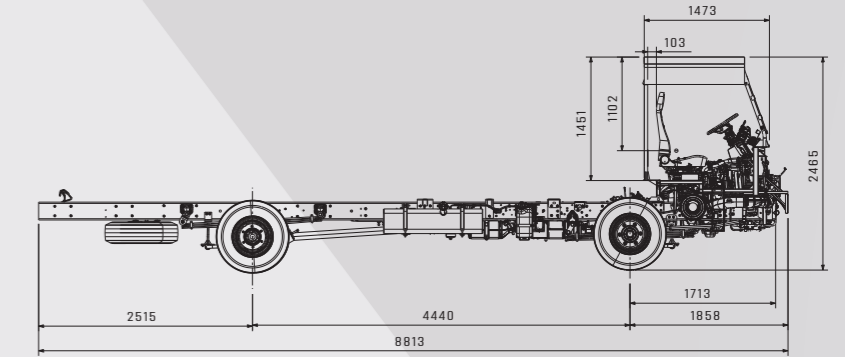


OUR CHASSIS THAT MATCHES YOUR VISION.

MAHINDRA CRUZIO GRANDE 4440 RTD

Seating, ARAI Approved by MTBD	
For School	For Staff
49+D (3x2)	34+D (2x2)
57+D (3x3)	30+D (PB)

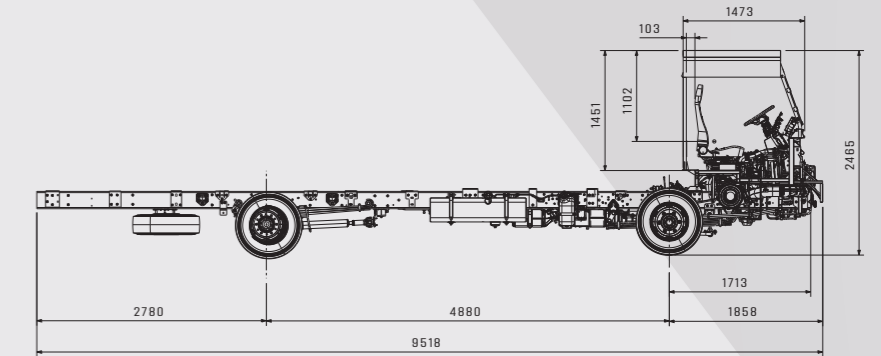
FOH	WB	ROH	Length	Front Track	Rear Track
1858 mm	4440 mm	2515 mm	8813 mm	1995 mm	1751 mm



MAHINDRA CRUZIO GRANDE 4880 RTD

Seating, ARAI Approved by MTBD	
For School	For Staff / Stage
54+D (3x2)	38+D (2x2)
63+D (2x2)	34+D (PB)

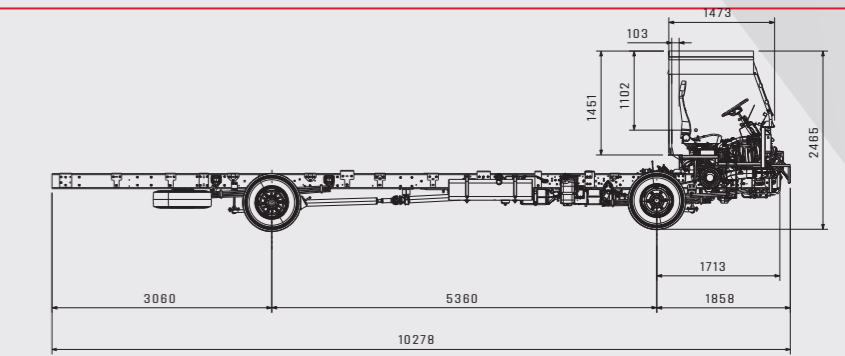
FOH	WB	ROH	Length	Front Track	Rear Track
1858 mm	4880 mm	2780 mm	9518 mm	1995 mm	1730 mm



MAHINDRA CRUZIO GRANDE 5360 RTD

Seating, ARAI Approved by MTBD	
For School	For Staff / Stage
62+D (3x2)	42+D (2x2)
72+D (2x2)	38+D (PB)


FOH	WB	ROH	Length	Front Track	Rear Track
1858 mm	5360 mm	3060 mm	10278 mm	1995 mm	1730 mm




MAHINDRA iMAXX TRACK YOUR BUS FROM ANYWHERE WITH MAHINDRA iMAXX TELEMATICS TECHNOLOGY.

KEY FEATURES

- 100% RELIABILITY** Mahindra iMAXX is backed by artificial intelligence so you get accurate results every day.
- ZERO DATA LOSS** It's equipped with a bigger battery and memory to store data. In addition, it also works on all generations - 4G, 3G and even 2G.
- PERSONALISATION** As your business evolves, so does our technology to suit all your needs.
- SMART REPORTS** Gives analytical insights and reports regularly to monitor and grow your business.




Mahindra AASHRAY is an insurance policy for truck and bus drivers that comes free with every Mahindra truck and bus. It provides financial support up to Rs. 5 Lakh in case of loss of limb or life. It's our way of showing how deeply we care about the welfare of drivers. It's our way of making every Mahindra truck or bus even more complete.*



Mahindra MCOVER makes you feel 3 times more secure.

- Cashless and Zero Depreciation Settlement*
- New vehicle replacement in case of total loss*
- Compensation for loss of income*



Mahindra brings you MTRUST, the best way to buy and sell used Mahindra trucks and buses. We inspect each vehicle from bumper to bumper through 166 check points at our authorised dealerships under company trained mechanics and make them go through 36 tough health checks as well. If there are any worn-out/non-working parts, we refurbish them with genuine Mahindra spares to give you vehicles that are as good as new and outperform from the start.*

- UP TO 12 MONTHS WARRANTY • UP TO 3 FREE SERVICES
- ROAD SIDE ASSISTANCE • REFINANCE OPTIONS



TECHNICAL SPECIFICATIONS

Model	MAHINDRA CRUZIO GRANDE		
Engine	3.5 litre mDi Tech Fuel Efficient Engine		
Max. Power	103 kW @ 2400 r/min		
Max. Torque	525 Nm @ 1250-1800 r/min		
Gear Box	6 Speed Synchromesh Gear Box with overdrive		
Suspension	Parabolic Leaf Spring with Anti Roll bar (Front & Rear)		
Clutch	362 mm Diameter with Clutch booster		
Tyres	235/75 R17.5 14PR Tubeless		
Steering	Power Steering		
Brake System	Air Brakes with ABS		
Fuel Tank	120 litre		
Battery	12 V -120 Ah		
Passenger Door	1 Jack-Knife type		
Floor	Anti Skid Vinyl Flooring		
TCD	15400 mm	16800 mm	17600 mm
Staff Seating	34+D HHR, 30+D PB	38+D HHR, 34+D PB	42+D HHR, 38+D PB
School Seating	49+D 3x2, 57+D 3x3	54+D 3x2, 63+D 3x3	62+D 3x2, 72+D 3x3
Wheelbase	4440 mm	4880 mm	5360 mm
Overall Length	8950 mm	9655 mm	10415 mm
Overall Width	2350 mm	2350 mm	2350 mm
Overall Height	3020 mm	3020 mm	3020 mm
GVW	9200 kg	9600 kg	10100 kg

WARRANTY TERMS:

- 3 YEARS/ 3 Lakh km Standard Warranty*
- 5 YEARS/ 5 Lakh km Extended Warranty with CVP and Transferable Warranty*

*Applicable for Engine, Transmission, Rear Axle and Differential Unit

*For more details of this guarantee, visit www.mahindratruckandbus.com

LOCATE A SERVICE CENTRE WHEREVER YOU ARE.

**now 1800-200-3600
020-27473600**

1 Mumbai-Delhi Highway

2 Kashmir-Kanyakumari Highway

*For more details of this guarantee, visit www.mahindratruckandbus.com

OUR GUARANTEES

**GET BACK ON THE ROAD IN 48 HOURS OR
GET RS. 1 000.00 PER DAY.***

**OUR SERVICE WILL REACH YOU IN 2 HOURS OR
WE WILL GIVE YOU RS. 500.00 PER HOUR.***

**GUARANTEED AVAILABILITY OF 100 MOVING
MAINTENANCE PARTS AT DEALERSHIP OR MPARTS
PLAZA, OR ELSE THEY ARE YOURS FOR FREE.***

*For more details of this guarantee, visit www.mahindratruckandbus.com



Corporate: contactmtb@mahindra.com
Customer Care: now24x7@mahindra.com



www.mahindratruckandbus.com



Mahindra & Mahindra Ltd.,
Truck and Bus Division, Marketing Division,
2nd Floor, Mahindra Towers, Worli, Mumbai 400 018.

DEALER STAMP



To know more give us a missed call on:
1800 315 7799

visit www.mahindratruckandbus.com



**MOBILE SERVICE VANS
& WORKSHOPS**



**COUNTRY-WIDE SPARES
& SERVICE NETWORK**

Note: In view of our policy of continuously improving our products, we reserve the right to alter specifications or design without prior notice and without liability. Illustrations do not necessarily show the vehicle in its standard form. Accessories shown are not part of the standard equipment. Colour shades shown may vary. E. & O.E.

*For more details, policy and conditions, visit: www.mahindratruckandbus.com