

**GET MORE PROFIT
OR GIVE THE
TRUCK BACK.***

Also, get the highest mileage guarantee.*



**NEW MAHINDRA
FURIO**
MORE PROFIT GUARANTEED*



**MAHINDRA, INDIA'S
MOST FUEL-EFFICIENT
TRUCK RANGE.
GUARANTEED.**

WHEN YOU DELIVER HIGHER PROFITS,
PEACE OF MIND AND PROSPERITY,
THE WORLD ACKNOWLEDGES IT!
NOT ONCE, NOT TWICE, BUT 3 TIMES!



CV of The Year: Mahindra FURIO

ICV Cargo Carrier of The Year: Mahindra FURIO 14

Special Application CV of The Year: Mahindra FURIO 12 Reefer



NOW BUYING ANY OTHER TRUCK IS A BIG RISK.

The brand new Mahindra FURIO comes with a never-before, industry-first package of 5 promises. Designed around your business needs, these promises assure you the Highest Earnings, Complete Peace of Mind, Best-in-Class Comfort, Safety and Risk-free Ownership Experience. In fact, this truck will transform your business in such a big way that buying any other truck would be a big risk.



HIGHER PAYLOAD:
HIGHER PROFIT GUARANTEED



BEST-IN-CLASS MILEAGE WITH
FUELSMART TECHNOLOGY:
HIGHER PROFIT GUARANTEED



BEST-IN-CLASS CABIN:
BETTER COMFORT, SAFETY AND
CONVENIENCE GUARANTEED



5 YEARS / 5 Lakh km
TRANSFERABLE WARRANTY:
PEACE OF MIND GUARANTEED



5 YEARS / 5 Lakh km FREE AMC:
FREE MAINTENANCE GUARANTEED

MAHINDRA FURIO - A BIG LEAP FOR INDIAN TRANSPORT.

This truck has everything it needs to transform the entire transport industry in India. Styled at the famous Italian automobile design and engineering company, Pininfarina, the Mahindra FURIO is crafted with striking looks and gives the assurance of outstanding performance. This proud addition to our truck range marks a new dawn for the Intermediate Commercial Vehicle (ICV) category and makes Mahindra a full range commercial vehicle player.





pininfarina

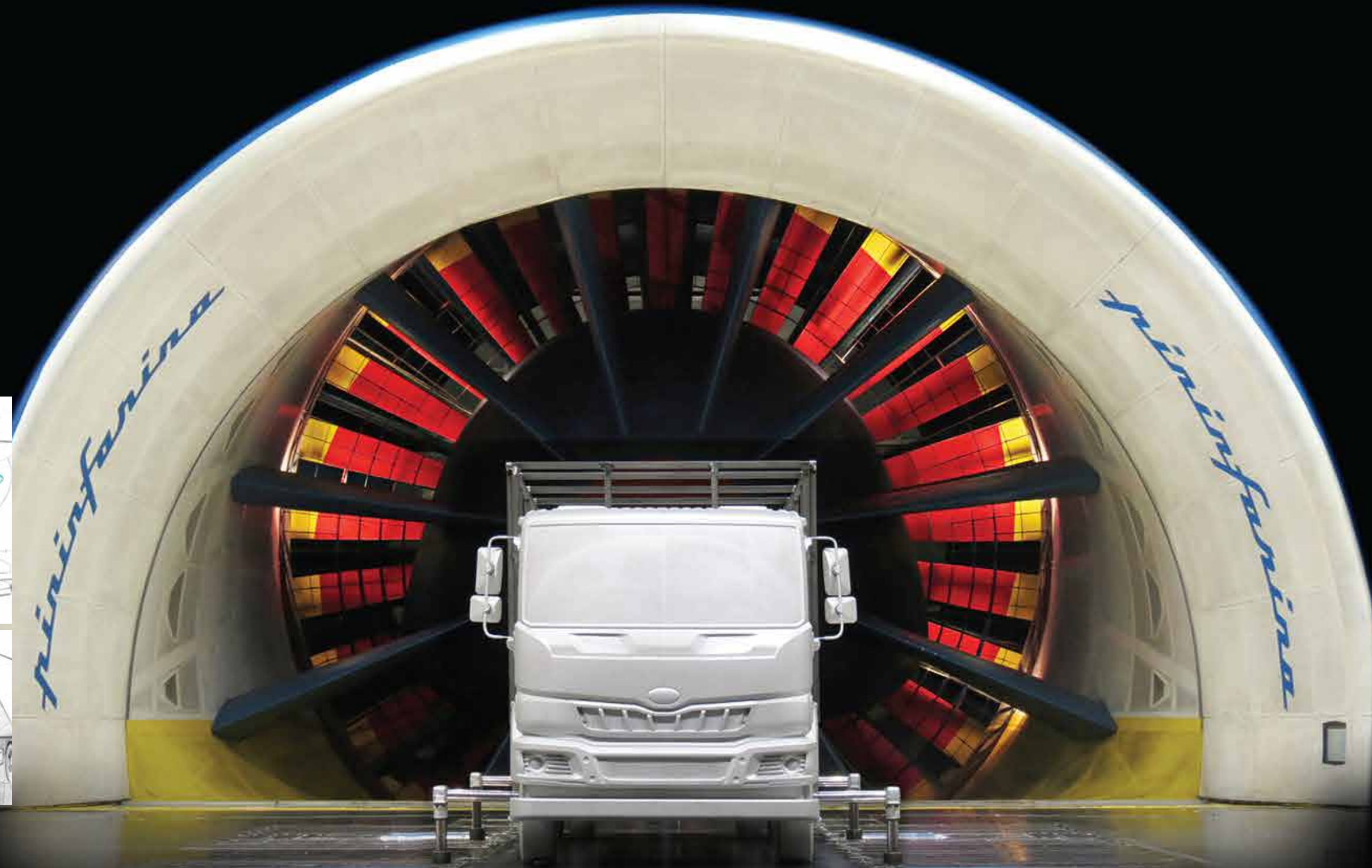
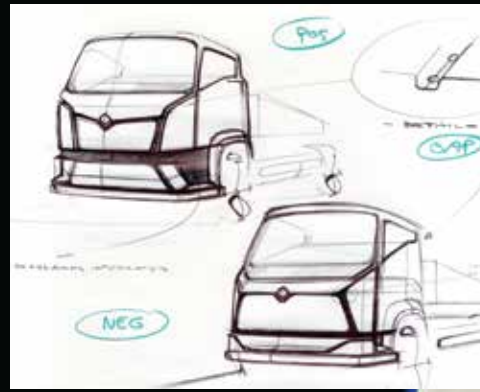
The design arm of Mahindra

INDIAN GRIT MEETS ITALIAN FLAIR.

Pininfarina in Italy is the design arm of Mahindra and one of the greatest names in automotive design. Their rich legacy of over 8 decades is steeped in innovation and impeccable design. They have designed several legendary car brands across the globe. And their touch of class extends beyond the automobile segment. They have brought to life high-speed trains, yachts, airplanes and even private jets.

The latest addition to their illustrious achievements is the Mahindra FURIO. In fact, Mahindra Truck and Bus and Pininfarina collaborated to create a ground-breaking truck in the ICV category. The result is a vehicle that integrates style, function and innovation; the fundamentals of Pininfarina.

The Pininfarina design team have designed a new brand image for this range of ICVs. They have evolved Mahindra's trucking DNA by adding modern features and bringing a distinctiveness in style. The exterior of the Mahindra FURIO has been crafted to display the sturdy build of the vehicle, and the interiors are insightfully crafted to give the driver the best on-road experience.





FURIO₁₁
CONTAINER

FURIO₁₂
CONTAINER

FURIO₁₂
REEFER

FURIO₁₄
HSD

FURIO₁₆
HSD

FURIO₁₄
DSD

FURIO₁₁
HSD

**MORE PROFIT GUARANTEED,
NO MATTER WHICH MAHINDRA FURIO YOU CHOOSE.**

Whatever you transport with the Mahindra FURIO, you will bring in more profits than ever before. Be it Fruits, Vegetables, Milk, Industrial Goods, Auto Components, Market Load, E-Commerce and FMCG, the Mahindra FURIO is built to outperform on the road and in the account books too. All thanks to the mDi Tech engine and the FuelSmart technology which work together to optimise fuel-efficiency, the overall comfort and a driving experience that is nothing less than world-class. More than anything, the assurance of 'Higher Profits, Peace and Prosperity' makes every Mahindra FURIO truly incomparable.

WHAT DRIVES THE MAHINDRA FURIO?

This business-changing truck is powered by the **3.5 litre mDi Tech FuelSmart engine**. This **powerful 103 kW engine** is **super-efficient, low on friction** and most importantly, backed by **more than a decade of Mahindra's CRDe expertise**. The Mahindra FURIO engine has an **1800 bar common rail system** and an **Electronic Wastegate Turbocharger** that together give you improved performance by delivering a unique combination of higher power and higher fuel economy. A **hydraulic lash adjuster (HLA)** means no more tappet setting every now and then. Same with the **auto belt tensioner** which sets itself and requires no manual adjustments.

Then there's the **gear driven air compressor** which enhances engine reliability to a high degree. An **electronic viscous fan** makes sure that the engine temperature is always within a safe range. A **higher capacity alternator** makes sure higher electrical loads are not a problem. There's even an **aluminium flywheel housing**; just to make sure you get the most optimum aggregates and the best performance.

YOUR TRUSTED ENGINE IS READY FOR THE **BS6** ERA

The Mahindra FURIO is ready for the BS6 era just with a few minimal changes. And it still comes with the same **powerful mDi Tech engine, FuelSmart technology, same best-in-class mileage, higher payload, 5 YEARS OR 5 Lakh km transferable warranty, 5 YEARS OR 5 Lakh km free AMC and best-in-class cabin**. So no need to worry about BS6, just focus on growing your business.



mDi Tech

FUELSMART

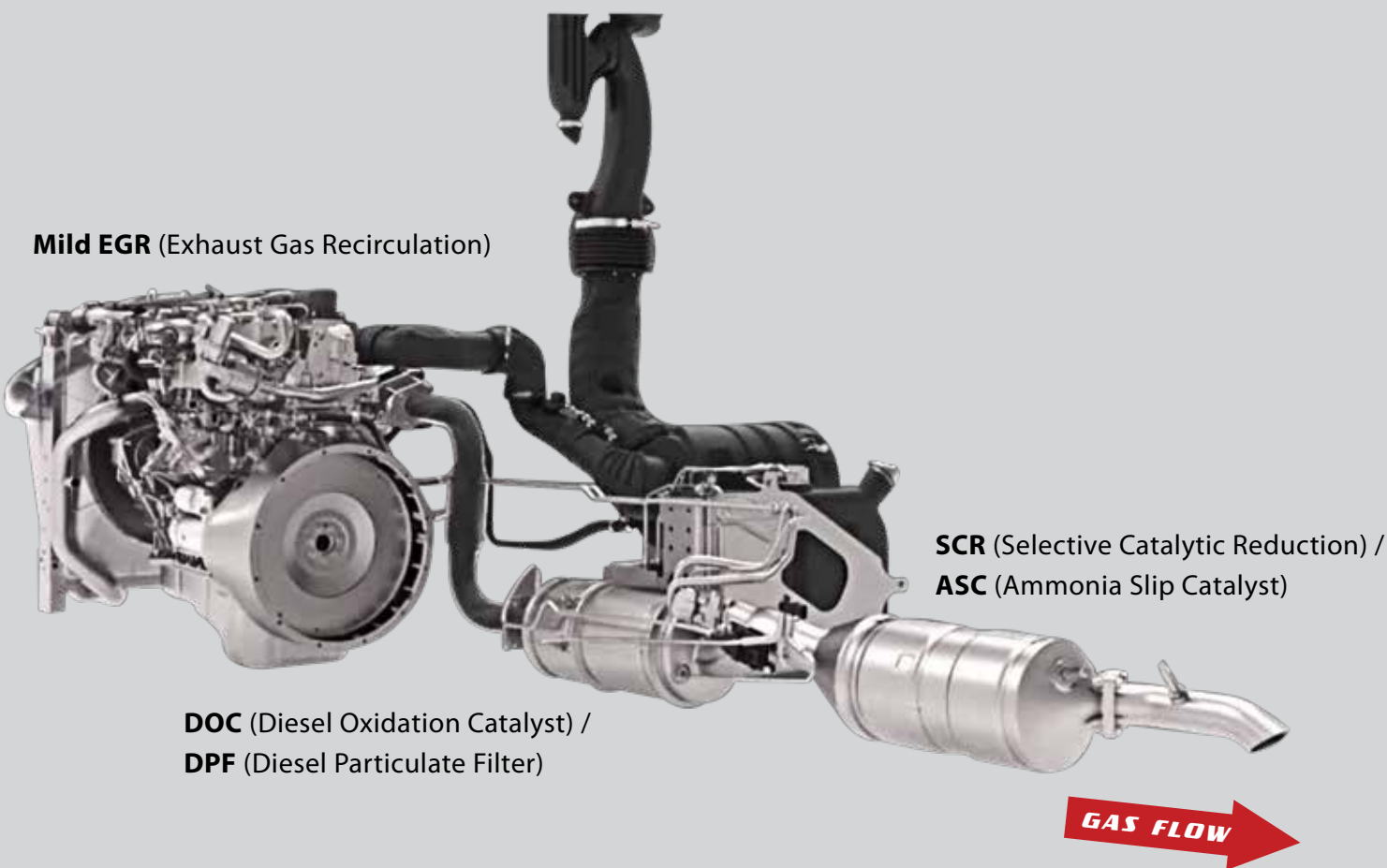
MILEAGE AND POWER AT THE TOUCH OF A SWITCH.

Developed by Mahindra to give your business a competitive edge, FuelSmart technology lets you choose between superior mileage and optimum power as and when your business demands.

Turn on the **Heavy mode** when your vehicle is with rated load as per GVW on a highway or if it's going up a steep incline or on a ghat section. Or use the **Light mode** when you're carrying a part load, running empty or delivering within the city.



MAHINDRA **BS6** AFTER TREATMENT SYSTEM. LOWER AdBlue CONSUMPTION MEANS HIGHER EARNINGS.



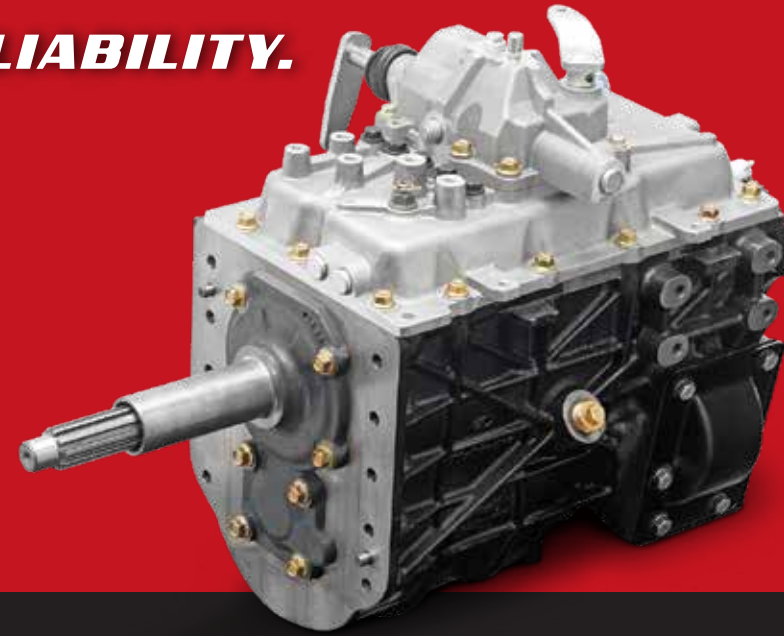
Proven Bosch ATS System

The Mahindra FURIO is not only built for profits but also for savings. Its AdBlue consumption is lower. Provided you use Maximile Plus, a Mahindra-recommended AdBlue. That means fewer trips for refuelling and lower AdBlue expenses. And what does this mean for your transport business? Increased earnings of course.

All this comes from the company's belief that the journey from BS4 to BS6 is not just about a technological change but an effort to change people's mindset of doing business in the transport industry. This belief meant that Mahindra Truck and Bus had to make minimal changes to its vehicles because they were already BS6 ready at the BS4 stage with 90% of the parts being the same. Which benefits our customers immensely as they don't have to worry about availability of spare parts and after-sales service.

RUGGED AGGREGATES FOR UNFAILING RELIABILITY.

The Mahindra FURIO is as much about reliability as it is about profitability. Its **gearbox** is made in-house by Mahindra, bringing in years of understanding of the Indian road conditions. A **6-speed overdrive transmission** makes this truck ideal for highway driving. The thoughtful gear-speed ratio gives you superior driving performance in every gear. Gear shifting itself is precise and smooth thanks to the **cable shift** and **double synchrocone**. And the main shaft has **deep groove ball bearings** for better efficiency for extended periods of time.



When it comes to the clutch, you'll see the same design philosophy. A **bigger, 362 mm diameter organic clutch** provides more contact area and better power transmission without slippage. It comes with a **booster** that leads to lower effort in clutch operation. The LUK B 8090 clutch also has a **higher lining life** which translates to **lower maintenance cost**. And the best aspect of this clutch is the **wear indicator** that lets you know when it is time to replace it.

The heavy-duty Rear Axle Meritor, Dana axle is no different when it comes to reliability. It has an optimised rear axle ratio that goes a long way in ensuring higher fuel efficiency. Then there's the bigger crown wheel diameter that delivers higher power transmission. And the optimised gradeability that allows this truck to climb steep inclines effortlessly even with a full load.



ANY TERRAIN, NO PROBLEM. ANY WEIGHT, NO PROBLEM.



The suspension of the Mahindra FURIO follows the classic Mahindra reliability in its design and build. This rear, semi-elliptical suspension is **heavy duty** and has the capability to take on the toughest driving and load conditions **without any need for additional leaves**.

The chassis is designed for typical Indian habits and road conditions. Its **I Section** and **Tubular** type chassis member gives it superior strength. Built using **high-strength, low alloy material (HSLA 550)** with powder coated cross members and CED coated long members, the chassis has significant durability. Made with customer convenience in mind, this chassis has a **bolted construction** that allows for easy repairs whenever needed. All this to ensure that the changes in BS6 are minimal and the payload capacity is almost just as good as before.



FURIO 11 BS6

MODEL	FURIO 11
GVW	11280 kg
Engine	mDi Tech, 4 cylinder, BS-VI (With EGR + SCR Technology)
Maximum Power	103 kW @ 2400 r/min
Maximum Torque	525 Nm @ 1250 - 1800 r/min (with multi-mode)
Transmission	6 speed Overdrive Synchro Gearbox
Tyres	235/75 R 17.5 (Optional - 8.25 x 16)
Fuel Tank Capacity (litre)	160
Cabin	2.05 m Day with Blower
Variant	HSD (CBC option available)
Wheelbase	4000 mm, 4950 mm
Internal loadbody size	HSD Length x Width x Height - 5334 mm x 235 mm x 1745 mm. Also available in 6711 mm length option.

PERFECT FOR



PARCELS & LOGISTICS



FMCG



INDUSTRIAL GOODS



AUTO COMPONENTS



WHITE GOODS



E-COMMERCE



FRUITS & VEGETABLES



MARKET LOADS

DELIVERS MORE GOODS, DELIVERS MORE EARNINGS.

- Powerful and fuel-efficient 3.5 litre **mDi Tech** engine with FuelSmart technology
- State-of-the-art cabin **designed by Pininfarina** for unmatched comfort and higher productivity
- Real-time **Driver Information System (DIS)**
- Suited for every **business application need** with **two cargo body length options**
- Guaranteed offerings in **Service and Mileage***



*For details of this guarantee, please refer to www.mahindratruckandbus.com

FURIO 12 BS6

MODEL	FURIO 12
GVW	11990 kg
Engine	mDi Tech, 4 cylinder, BS-VI (With EGR + SCR Technology)
Maximum Power	103 kW @ 2400 r/min
Maximum Torque	525 Nm @ 1250 - 1800 r/min (with multi-mode)
Transmission	6 speed Overdrive Synchro Gearbox
Tyres	8.25 R 20
Fuel Tank Capacity (litre)	190 (160 litre Optional)
Cabin	2.05 m Day with Blower
Variant	HSD (CBC option available)
Wheelbase	4500 mm, 5100 mm, 5450 mm
Internal loadbody size	HSD Length x Width x Height - 5796 mm x 2135 mm x 1900 mm. Also available in 6100 mm, 6711 mm and 7320 mm length options and 2288 mm width option.

PERFECT FOR



DELIVERS PRODUCTS FRESH AND PRESERVES EARNINGS TOO.

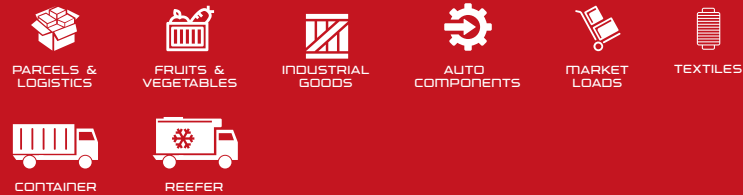
- Powerful and fuel-efficient 3.5 litre **mDi Tech** engine with FuelSmart technology
- State-of-the-art cabin **designed by Pininfarina** for unmatched comfort and higher productivity
- Real-time **Driver Information System (DIS)**
- Suited for every **business application need** with **multiple cargo body length options**
- Guaranteed offerings in **Service and Mileage***



FURIO 14

MODEL	FURIO 14
GVW	14050 kg
Engine	mDi Tech, 4 cylinder, BS-VI (With EGR + SCR Technology)
Maximum Power	103 kW @ 2400 r/min
Maximum Torque	525 Nm @ 1250 - 1800 r/min (with multi-mode)
Transmission	6 speed Overdrive Synchro Gearbox
Tyres	8.25 R 20
Fuel Tank Capacity (litre)	190 (160 litre Optional)
Cabin	2.05 m Day with Blower
Variant	HSD (CBC option available)
Wheelbase	4500 mm, 5100 mm, 5450 mm
Internal loadbody size	HSD Length x Width x Height - 5796 mm x 2135 mm x 1900 mm. Also available in 6100 mm, 6711 mm and 7320 mm length options and 2288 mm width option.

PERFECT FOR



DELIVERS MARKET LOADS AND INDUSTRIAL GOODS EFFICIENTLY.

- Powerful and fuel-efficient 3.5 litre **mDi Tech** engine with FuelSmart technology
- State-of-the-art cabin **designed by Pininfarina** for unmatched comfort and higher productivity
- Real-time **Driver Information System (DIS)**
- Suited for every **business application need** with **multiple cargo body length options**
- Guaranteed offerings in **Service and Mileage***





FURIO 14 HD

MODEL	FURIO 14 HD
GVW	13100 kg
Engine	mDi Tech, 4 cylinder, BS-VI (With EGR + SCR Technology)
Maximum Power	103 kW @ 2400 r/min
Maximum Torque	525 Nm @ 1250 - 1800 r/min (with multi-mode)
Transmission	6 speed Overdrive Synchro Gearbox
Tyres	8.25 X 20
Fuel Tank Capacity (litre)	190 (160 litre Optional)
Cabin	2.05 m Day with Blower
Variant	HSD (CBC, FSD & DSD options available)
Wheelbase	4100 mm, 3450 mm
Internal loadbody size	HSD Length x Width x Height - 5185 mm x 2135 mm x 1900 mm. Also available in 4270 mm length option.
	DSD Length x Width x Height - 5185 mm x 2135 mm x 600 mm. Also Available in 4270 mm length option.

PERFECT FOR



CARRIES HEAVY LOADS AND DELIVERS GOODS EFFORTLESSLY.

- Powerful and fuel-efficient 3.5 litre **mDi Tech** engine with FuelSmart technology
- State-of-the-art cabin **designed by Pininfarina** for unmatched comfort and higher productivity
- Real-time **Driver Information System (DIS)**
- Suited for every **business application need** with shorter cargo body length options
- Guaranteed offerings in **Service and Mileage***



*For details of this guarantee, please refer to www.mahindratruckandbus.com

FURIO 16

MODEL	FURIO 16
GVW	16140 kg
Engine	mDi Tech, 4 cylinder, BS-VI (With EGR + SCR Technology)
Maximum Power	103 kW @ 2400 r/min
Maximum Torque	525 Nm @ 1250 - 1800 r/min (with multi-mode)
Transmission	6 speed Overdrive Synchro Gearbox
Tyres	9.0 R 20 - 16PR
Fuel Tank Capacity (litre)	190 (235 litre, 330 litre Optional)
Cabin	2.05 m Sleeper with Blower (2.05 m Day Cabin Optional)
Variant	HSD (CBC option available)
Wheelbase	4500 mm, 4900 mm, 5300 mm, 5450 mm
Internal loadbody size	HSD Length x Width x Height - 5798 mm x 2288 mm x 1980 mm. Also available in 6098 mm, 6711 mm and 7315 mm length options and 2374 mm, width.

PERFECT FOR



NOW EXPERIENCE COMFORT AND SAFETY ON EVERY JOURNEY.

- Powerful and fuel-efficient 3.5 litre **mDi Tech** engine with FuelSmart technology
- State-of-the-art Day & Sleeper cabin **designed by Pininfarina** for unmatched comfort and higher productivity
- Real-time **Driver Information System (DIS)**
- Suited for every **business application need** with **multiple cargo body length options**
- Guaranteed offerings in **Service and Mileage***

*For details of this guarantee, please refer to www.mahindratruckandbus.com



FURIO 17 BS6

MODEL	FURIO 17
GVW	17000 kg
Engine	mDi Tech, 4 cylinder, BS-VI (With EGR + SCR Technology)
Maximum Power	103 kW @ 2400 r/min
Maximum Torque	525 Nm @ 1250 - 1800 r/min (with multi-mode)
Transmission	6 speed Overdrive Synchro Gearbox
Tyres	Tubeless Tyres STD Fitment 275/80 R 22.5
Fuel Tank Capacity (litre)	190 (235 litre, 330 litre Optional)
Cabin	2.05 m Sleeper with Blower
Variant	HSD (CBC option available)
Wheelbase	5450 mm
Internal loadbody size	HSD Length x Width x Height - 7315 mm x 2288 mm x 1980 mm. Also available in 2374 mm width option

PERFECT FOR



HIGHER PAYLOAD LEADS TO HIGHER EARNINGS.

- Powerful and fuel-efficient 3.5 litre **mDi Tech** engine with FuelSmart technology
- State-of-the-art cabin **designed by Pininfarina** for unmatched comfort and higher productivity
- Real-time **Driver Information System (DIS)**
- Suited for **Voluminous Goods** application need with **multiple cargo body length options**
- Guaranteed offerings in **Service and Mileage***



A WORLD-CLASS DRIVING EXPERIENCE.



Ergonomically Designed Cabin with 8 Air Vents, 4 Spoke Tilt and Telescopic Power Steering

Mahindra FURIO has been designed and styled at **Pininfarina**, the Italian design arm of Mahindra, and the name behind the **ground-breaking designs** of many renowned international automobile brands. The Mahindra FURIO's design comes from invaluable customer insights. And some of the best automotive designers at **Pininfarina** have worked on the Mahindra FURIO to provide a driving experience that is nothing short of **world-class** in every way.



8 Vents - Industry First Offering

The **unique rake angle** makes sure that the cabin is less exposed to the sun and stays cooler for longer periods of time. In fact it has been seen that the cabin is actually **5°C cooler**. Then there are **8 air outlets** to make sure that the driver stays fresh for more hours at the wheel. And a **wider windshield** for better visibility and increased safety and most of all, to give the driver greater awareness of the area around the truck.

MAXIMUM COMFORT LEADS TO MAXIMUM EARNINGS.

The Mahindra FURIO is thoughtful in many ways. In fact it has many features that are actually a first in the industry. A **Spacious walk-through Cabin** allows for easy entry and exit. The **Lounging Arrangement** allows the co-driver to relax during the drive while the driver can relax during a stopover without leaving the truck. There's even a **Sleeper Berth** to stretch fully and feel even more rested.

Industry First Offering



Day Cabin



Ensures Basic Level of Comfort for Drivers during Stopovers, Walk-Through Cabin



Lounging Arrangement for Driver and Co-Driver



Driver to rest during Stopovers and Co-Driver during the Drive



Sleeper Cabin



Spacious Cabin: Sleeper Berth: 1750 mm X 500 mm, Easy Access



QUITE SIMPLY THE SAFEST CABIN IN ITS CLASS.

The Mahindra FURIO is a game changer in many ways. Naturally, you get the best deal when it comes to cabin safety as well. With its **best-in-class interior volume, energy absorbing mounts and broader cabin sections.** Just a few more reasons to make choosing this truck absolutely unanimous.



Best-In-Class Interior Volume | Energy Absorbing Mounts | Broader Cabin Sections

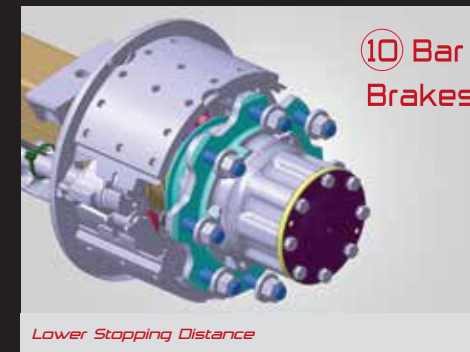
ENHANCED SAFETY FOR HIGHER UPTIME AND MORE EARNINGS.

The Mahindra FURIO pushes the category standards for safety even higher. It has actually exceeded Indian regulations by great margins. **Dual chamber headlamps** provide longer light-throw to increase the safety quotient. **Wide spread fog lamps**, a first in the ICV segment, increase visibility around turns at night and also add extra assurance in the monsoons or in foggy, overcast conditions. Then there's the **metallic bumper, stronger design front under-run protection device** and **fenders** to protect the main body of the truck and also act as reinforcements in case of a collision.

You will be happier to know that the Mahindra FURIO's cabin meets the **AIS 029 crash norms** and is the safest in its class. A **10-bar air brake system** gives you superior braking performance just when it is most needed. The chassis is made from a **high strength low alloy (HSLA 550) material** which gives the Mahindra FURIO a solid and reassuring stability and an **anti-roll bar** enhances this stability even further.

There is **ample headroom** for the driver which is especially helpful on bumpy Indian roads. A **wire mesh** on the mouth of the fuel tank acts as a big deterrent for fuel thieves. One of the best things about the Mahindra FURIO is its **tubeless and radial tyres**. They are standard fitment and they not only give you high speed capability but also better stability along with improved puncture resistance.

Now for a small but extremely thoughtful feature. This truck starts in neutral gear only.



Lower Stopping Distance



Dual Chamber Headlamps and Wide Spread Fog Lamps for Better Night Vision and Around Turns



Perfect for Indian Road Conditions. Provides Better Comfort and Safety to Drivers.



HSLA Chassis for Better Strength



Anti-Roll Bar (ARB) for Better Stability



Tubeless and Radial Tyres for High Speed Capacity, Better Stability and Puncture Resistance.



Wire Mesh for Fuel Theft Protection

HIGHER PAYLOAD FOR HIGHER PROFITS.

Equipped with a sturdy **HSLA Chassis and Load Body** as before.

Rugged aggregates with the strength to carry all kinds of loads.

Comes with a **Higher Profit Guarantee** which no other truck in the industry offers.

READY TO USE FROM DAY ONE. EASY TO MODIFY FOR ANY APPLICATION.

MULTIPLE BODY LENGTH OPTIONS | PANELS WITH **HSLA (HIGH - STRENGTH LOW - ALLOY STEEL)**

420 MATERIAL | ADEQUATE **SUPER STRUCTURE** HEIGHT | **DENSE PITCHSIDE** PILLARS

ROBUST STRUCTURE



MORE CONVENIENCE MEANS MORE PRODUCTIVITY MEANS MORE PROFITS.

You will see a lot of attention to detail in the Mahindra FURIO. Both on the inside and on the outside. **Extra large hooks** on the cargo body allow you to tie down whatever you are transporting even more securely. The **boltable super structure** is removable and is a huge convenience factor in case you ever want to change the body. A **side ladder** provides quick and easy access to the cargo body. **Extra bars** prevent cargo falling off and make every delivery extra safe. There's even an **inbuilt provision** to mount an **Overhead Carrier** or **Aerokit** to prevent external welding on the cabin or punching holes in it.

On the inside, there's **ample storage space** inside the cabin with a **head box**, **lockable storage** under the co-driver's seat and **glove box**. You will even find a **utility pocket** and **speaker provision** on the inside of the door. Like we said, there's a lot of thinking that has gone into the Mahindra FURIO.



Driver Information System (DIS)

The digital display in the **Intelligent Driver Information System (DIS)** enables the driver to quickly check the vital information of the truck and constantly monitor its performance. To get a clear picture of all the performance statistics of the truck at a quick glance at all times. Yes, we thought of hundreds of ways to make you more productive.



Robust Front End Structure



Provision for Aerokit and Roof Luggage Carrier (RLC)



Side Ladder for Easy Climbing



Lockable Storage Under Co-Drivers Seat



Door with Utility Pocket and Speaker Provision

***TO OUTPERFORM,
YOU HAVE TO OUTBUILD FIRST.***

The Greenfield Plant in Chakan, one of the most advanced manufacturing plants in India, is where Mahindra FURIO trucks are created. Massive in scale, the Chakan Plant is also renowned for its micro-attention to detail. Each vehicle is put together with robotic precision and utmost care to ensure the highest standard of reliability. A young, enthusiastic and well-trained group of technicians ensures the quality of every vehicle that rolls out from this plant. The plant's cutting-edge technology and sustainable practices make it a facility that's ready to roll out generations of outperforming vehicles.



ABOUT MAHINDRA

The Mahindra Group focuses on enabling people to rise through solutions that power mobility, drive rural prosperity, enhance urban lifestyles and increase business efficiency.

A USD 20.7 billion multinational group based in Mumbai, India, Mahindra provides employment opportunities to over 200,000 people in over 100 countries. The Group operates in the key industries that drive economic growth, enjoying a leadership position in tractors, utility vehicles, information technology, financial services and vacation ownership. In addition, Mahindra enjoys a strong presence in the agribusiness, aerospace, components, consulting services, defence, energy, industrial equipment, logistics, real estate, retail, steel, commercial vehicles and two-wheeler industries.

In 2014, Mahindra featured on the Forbes Global 2000, a comprehensive listing of the world's largest, most powerful public companies, as measured by revenue, profit, assets and market value. The Mahindra Group also received the Financial Times 'Boldness in Business' Award in the 'Emerging Markets' category in 2013.



GIVE YOUR BUSINESS THE EDGE OF AWARD WINNING TRUCKS.

- 2011: CV AND HCV OF THE YEAR - 25 TONNE
- 2012: PRIME MOVER OF THE YEAR - 40 TONNE
- 2013: HAULAGE TIPPER OF THE YEAR - TORRO 31
- 2014: CARGO CARRIER OF THE YEAR - TORRO 25
- 2015: HCV RIGID CARGO CARRIER OF THE YEAR - TRUXO 37
- 2017: CV AND HCV OF THE YEAR - BLAZO 37
- 2018: MHCV TIPPER OF THE YEAR - BLAZO 25
- 2019: HCV RIGID CARGO CARRIER - BLAZO X 37 PUSHER AXLE
- 2020: HCV TIPPER OF THE YEAR - BLAZO X 28 AND HCV PRIME MOVER OF THE YEAR - BLAZO X 55



INITIATIVES TO TRANSFORM INDIAN TRANSPORT INSIDE OUT.



TOUR DE CHAKAN: This is a one-of-its-kind initiative that presents customers a unique tour of Mahindra's state-of-the-art Chakan plant. So they can see the entire truck manufacturing process, the technology and quality control that goes into making Mahindra's trucks the outperforming machines that they truly are.



D-EXCEL: Mahindra Truck and Bus decided to work with the Indian Institute of Management, Ahmedabad, to develop a programme that provides guidance, new thinking and techniques to help dealers improve their business. This programme covers specific areas like profitability, better customer experience, data driven decisions, people management etc.



MAHINDRA TRANSPORT EXCELLENCE AWARDS: The Mahindra Transport Excellence Awards turn the spotlight on excellence in the transport industry. Over the years, the awards have consistently widened their scope by adding new categories to recognise and reward excellence in many more areas of Indian transport.



MPOWER: Launched in association with the Indian Institute of Management, Ahmedabad as the Knowledge Partner, MPOWER helps young professionals in the transport industry meet today's challenges and take their business to new heights. The programme has received widespread appreciation in the Indian transport industry and has seen over 200 young transport entrepreneurs completing the course.



MPOWER WAR ROOM: They say that learning isn't complete till it is actually applied. That's exactly the idea behind the MPOWER WAR ROOM. Through this programme, participants can present how they have applied their MPOWER learning and advanced their family transport businesses. The programme also gives participants an opportunity to learn from each other's experiences and build deeper ties with one another. Also conducted in association with IIM - Ahmedabad, the WAR ROOM has seen two editions and nearly 50 participants.



MPOWER MENTORS SUMMIT: This is a collective learning programme specially designed to empower the mentors of the Indian Trucking Industry. It offers industry veterans a platform to share their views on transport with other fleet owners, seasoned professionals and also interact with the IIM-A faculty to discuss and guide the next generation of transporters.



MAHINDRA SAARTHİ ABHIYAAN: Staying true to Mahindra's philosophy of 'Rise', Saarthi Abhiyaan, a unique social project was started. It supports truck drivers and their families through health camps, scholarships, driver training programmes and more.

KEEP TRACK OF YOUR TRUCK FROM ANYWHERE WITH MAHINDRA iMAXX TELEMATICS TECHNOLOGY.

Think of the Mahindra iMAXX telematics technology as your personal assistant that updates you with vital information about vehicles and your business. Mahindra iMAXX comes with smart features like accurate refills, live tracking, predictive vehicle health monitoring, fuel efficiency analysis, theft alerts, fuel consumption, AdBlue monitoring, driver behaviour monitoring and a range of automated operation reports. With the help of these features, owners can keep track of their vehicles and business 24/7.

KEY FEATURES

100% RELIABILITY Mahindra iMAXX is backed by artificial intelligence so you get accurate results every day.

ZERO DATA LOSS It's equipped with a bigger battery and memory to store data. In addition, it also works on all generations - 4G, 3G and even 2G.

PERSONALISATION As your business evolves, so does our technology to suit all your needs.

SMART REPORTS Gives analytical insights and reports regularly to monitor and grow your business.



**GET BACK ON THE
ROAD IN 48 HOURS OR
GET ₹1000.00
PER DAY.***



*To know more about this guarantee, visit www.mahindratruckandbus.com

**GET A 36-HOUR
GUARANTEED TURNAROUND
AT OUR WORKSHOP
OR GET ₹3000.00 PER DAY.***



Step into MPARTS PLAZA, your one-stop shop for a range of Mahindra Truck and Bus spare parts at reasonable prices. You'll never have to compromise on performance or price again!

- Spacious and well-designed stores
- Conveniently located near auto spare parts hub
- Complete range of genuine spares
- Reasonably priced and competitive



AGRA 7900399900, 9917161333 AHMEDABAD 9909035440, 9925431436 BENGALURU 7760930751 BHILWARA 9928189111 BHUBANESHWAR 7894427804
CALICUT 8111887541 CHANDIGARH 9814735750, CHANDRAPUR 7900399900, 9917161333 DELHI 011-64776605 GURGAON 9811888106 GUWAHATI 9957182059,
9957182053 HUBLI 9164333460 HYDERABAD 9032838386, 7095733344 INDORE 9425060883 JABALPUR 9167356181 JAIPUR 9818107204
JAMSHEDPUR 9708626666 KALAMASSERY 8111887541 KARNAL 9812444485 KOCHI 8111887541 KUTCH 8200340519 LUCKNOW 9829891082
MANGALORE 9986569470 NAGPUR 8652801639, 8275044596 NASHIK 9850972122, 7028019409, 9822659645 NAVI MUMBAI 9552542932
PATNA 7061384040 PUNE 992369909 RAIPUR 8308724160 SILLIGURI 9832039732 SURAT 9909035444, 9925431436 UDAIPUR 9414235070
VISAKHAPATNAM 8008707979

*To know more about this guarantee, visit www.mahindratruckandbus.com

*For details of this guarantee, please refer to the website www.mahindratruckandbus.com

**ONLY A
SUPERSTAR
GIVES YOU
INSURANCE
WITH
EXTRA**



***Mahindra brings you MCOVER,
an insurance policy that gives you exactly what it says.
That comes to your aid in every situation,
especially when you need it the most.***

Mahindra Makes You Feel 3 Times More Secure.

- ① Cashless and Zero Depreciation settlement*
- ② New vehicle replacement in case of total loss*
- ③ Compensation for loss of income*



*For more details, policy and conditions, visit: www.mahindratruckandbus.com





JAB MAHINDRA KA HAI AASHRAY, HAR PAL HAI BEFIKAR.

Mahindra AASHRAY is an insurance policy for truck and bus drivers that comes free with every Mahindra truck or bus. It provides financial support up to Rs. 5 Lakh in case of loss of limb or life. To take care of hospitalisation expenses, family support and if needed, even children's education expenses. It's our way of showing how deeply we care about the welfare of drivers. It's our way of making every Mahindra truck or bus even more complete.

POLICY BENEFITS	
CLAIM	SUM INSURED
Death	Rs. 5 00 000.00
Loss of Both Hands / Legs / Eyes	Rs. 5 00 000.00
Loss of One Hand / Leg / Eye	Rs. 2 50 000.00
Permanent Total Disablement	Rs. 5 00 000.00
Permanent Partial Disablement conditions	% of Rs. 5 00 000.00 as per Policy conditions
Hospitalisation Expenses	Actual or Rs.50 000.00 Maximum
Education Aid (maximum up to 2 children) only in case of death of the driver	Rs. 50,000/- per child.



*For more details, policy and conditions, visit: www.mahindratruckandbus.com

THAT'S HOW YOU CAN BUY OR SELL OUR USED TRUCKS.

Mahindra brings you MTRUST, the best way to buy and sell used Mahindra trucks. We inspect each vehicle from bumper to bumper through 166 Check Points at our authorised dealerships under company trained mechanics and make them go through 36 tough health checks as well. If there are any worn-out/non-working parts, we refurbish them with genuine Mahindra spares to give you vehicles that are as good as new and outperform from the word go.

BENEFITS FOR THE BUYER

- Assurance on product performance
- Genuine transaction
- Arrangement of re-finance
- Wide network for better options
- Zero transaction fees
- Extended Warranty on Engine and Drive Line for 1 YEAR / Unlimited km
- Up To 12 months warranty
- Up To 3 free services
- Annual Maintenance Contract and roadside assistance

BENEFITS FOR THE SELLER

- Better resale value for your used truck
- Fast disposal
- Reliability
- Build trust and confidence for the customer



*For more details, policy and conditions, visit: www.mahindratruckandbus.com



VISIT MAHINDRA TRUCK AND BUS DEALERSHIPS FOR MORE DETAILS.

Sr. No.	Location	Dealer Name	Dealership Address
1	Agartala	Tarasankar Motor Pvt. Ltd.	Bagbassa - Dharmanagar Road, Kameswar, Near ITI, Dharmanagar, North Tripura, Pin - 799250
2	Agra	NRL Auto Sales	Khasra No. 235 to 240, Village Chalesar, Mauja Kuberpur, Firozabad Road, near PNC Cold Storage, AGRA - 282006, U.P.
3	Ahmedabad	Siddheswari Motors	Block No.-134, Sarkhej-Sanand Road, Near Noble Palace Hotel, Shantipura, Ahmedabad-382210
4	Ajmer	Velocity Tech	Khasra No - 820, Near HPCL Bottling Plant, VIII - Dilwari, Teh. Nasirabad, Dist.- Ajmer, Pin Code - 305601
5	Allahabad	Mehrotra Automobiles Pvt. Ltd.	NH-27 REWA ROAD, MILESTONE-21, VILL-KANTI, NEAR GAUHANIYA CROSSING, ALLAHABAD - 212107
6	Alwar	J.S. Fourwheel Motors Pvt. Ltd.	"Showroom : J S Fourwheel Motors Pvt Ltd., Delhi Road, Alwar Workshop : C-11 Warehouse Scheme, Opp. Jhankar Hotel, Alwar"
7	Ambikapur	Tiwari Motors	Near Kendariya Vidhyalaya, M. G. Road, Ambikapur, Surguja 497001, Chhattisgarh
8	Aurangabad	Ratnapprabha Motors	M/s Ratnapprabha Motors, Gut No.72/1, Daulatabad "T" Point, Behind Highway Police Chowki, Sharnapur, Aurangabad (Maharashtra) - 431 002
9	Bengaluru	Kalpajain Motorworld LLP	SY 78, Arishanakunte, Kasaba Hobli, Nelamangala - 562123, Bengaluru Rural, Karnataka
10	Belgaum	Karnataka Agro Enterprises	1157/2, Airport Road, Maruti Nagar, Belgaum - 590016, Karnataka.
11	Bellary	Shree Malleswara Automotive	"Opp. Industrial Area, New Bypass, Ananthapur Road, Bellary - 583101, Karnataka 08392 260035/260224"
12	Bharuch	Vimco Automotive	N.H. No-08, Near Hotel Nyay Mandir, Bharuch - 392011
13	Bhiwandi	TIAAN Wheels Pvt. Ltd.	Survey No.44/2, 45/1, Opp.: Gupta Warehouse, Village : Dapoda , Tal - Bhiwandi, Dist : Thane - 421301
14	Bhopal	Win Kin Automobiles Pvt. Ltd.	Villa Chan Patwari Halka No.25, Bye Pass Road, 11th Mile ,Hoshangabad Road, Bhojpur Chouraha, Tehsil Huzur, Bhopal-462026
15	Bhuj	M K Motors	"1st Floor, Fort View Building, Near Cargo Circle, Madhapar Ring Road, Bhuj - Kutch"
16	Bikaner	Manda Motors Pvt. Ltd.	M/s Manda Motors Pvt. Ltd. 1/2 KM From Bye Pass, NH 11, Jaipur Road, Bikaner-334001 Rajasthan
17	Bilaspur	Worldwide Autocraft Private Limited	3211, PO Kothipura, Tehsil Sadar, Main Manali Road, NH-21, Ratt, Bilaspur, Himachal Pradesh
18	Calicut	TVS Mobility Private Limited	OP-3/1014, C&D- NH Road, Near Apollo Hospital, Iringalloor, Guruvayurappan College, P.O. Calicut-673014
19	Chennai	Rajalakshmi Automobiles Pvt. Ltd.	"259/1, By-pass road, Poonamallee, Dist Chennai (T.N) - 600 056. 044-26274364"
20	Chhapra	Sri Subhash Automobiles	New Bypass 4 Lane 531, PO - Sandha, PS - Muffasil, Chapra, Saran, Bihar, 841302
21	Chhindwara	Shree Balaji Commercial	KH NO 398/5, C/O Pooran Lal Uikey, Nagpooor Seoni By Pass Road Kukda Chiman, Tehsil Mohkhed, Chhindwara - 480001, Madhya Pradesh
22	Cochin	TVS Mobility Private Limited	Vallathole Junction, Seaport - Airport Road, Thrikkakara, Cochin 682021
23	Coimbatore	Reliable Motors	66/3, L&T Bye Pass Road, Opp. Sakthi Engineering College, Irugur, Coimbatore
24	Cuddalore	Selvi Automobiles	"Plot No 3, T R Nagar, Thottapattu Village & Panchayat, Nellikuppam Main Road, Cuddalore 04142-290202"
25	Cuddapah	Sri Vijaya Durga Motors Pvt. Ltd.	Survey No 5/3, Opp. Indira Township, Near Airport, Kamalapuram Road, Rudhra Bharathipet, Chennur (M), Kadapa-516003
26	Dhanbad	Coalfield Equipments Private Limited	"NH 2, Kasitand Barwadda, Dhanbad - 826004, Jharkhand M : 9263634420 / 9204959735"
27	Dibrugarh	Milestone Motors	Milestone Motors, Nizlahoal, A.T.Road,(NH37), PO. Lahoal, Dibrugarh-786010, Assam T : 0373- 2381936
28	Dimapur	Chabou & Co.	"6th Mile, Near Sovima Village Gate, NH-29, Chumukdema, Dimapur - 797112 T : 03862-240000"
29	Gaya	Maharani Services	Moulana Chowk (NH - 2), Sherghati, Gaya, Bihar - 823001
30	Gorakhpur	Hora Motors Pvt. Ltd.	NH28 LUCKNOW- GORAKHPUR HIGHWAY, AT. KASARWAL, POST :- SAHJANWA, DIST :- GORAKHPUR (UTTAR-PRADESH)-273209
31	Gurugram	Greenland Motors Private Limited	Village - Binola, Tehsil - Manesar, Binola, Gurgaon, Haryana, 122413
32	Guwahati	Horizon Entrade Pvt. Ltd.	Pashchim Boragaon, P.S. - Gorchuk, Mouza - Jalukbari, P.O. - Gotanagar, Guwahati - 781033, Dist.- Kamrup (Metro), Assam
33	Gwalior	Royal Trucks and Buses Private Limited	Survey No. 237/MIN-1 Patwari Halka No. 24, Gram:- Naya Gaon A B Road, Gwalior - 475330, Madhya Pradesh
34	Haridwar	Shreyans Automotives	Khasra Number 253, Manoharpur, Atmalpur Bahadrabad, Near Haridwar Bypass, Haridwar(Uttarakhand) 249402
35	Hyderabad	Fortune Commercial Vehicles	"Sy.No:647/1, Pedda Amberpet Kalan , Hayatha Nagar, Ranga Reddy District, Hyderabad 501505 040-27523300"
36	Imphal	N R Motors	M.G.Avenue, Thangal Bazar, Nr. Gandhi Statue, Dist.Imphal West, Manipur - 795001
37	Indore	Sanghi (MTB) Trucking Pvt. Ltd.	286, Nipania, Opp. Best Price, Bypass Road, Indore(M.P.) 452010
38	Jabalpur	Star Automobiles (M.P.) Ltd.	60 Tripuri Chowk, Garha, Nagpur Road, Jabalpur - 482001
39	Jaipur	K.S. Motors Pvt. Ltd.	Opp. Pink pearl resorts, Nursinghpura, Ajmer Road, N H 8, Jaipur-302026
40	Jalandhar	Worldwide Autocraft Private Limited	H.B. No. 205, Village - Raowali, Jalandhar Pathankot Highway, Jalandhar - 144012
41	Jammu	Astro India Automobile (Unit II) Private Limited	Opposite Shahid Filling Station, Kunjwani Chowk, Jammu - 180010
42	Jharsuguda	Shree Balaji Automobiles	At - Satgachhia, P.O. - Lapanga, Dist. - Sambalpur - 768232, Odisha.
43	Jhunjhunu	Gehlot Motors Pvt. Ltd.	Sikar - Jaipur Road, Sikar & Jhunjhunu - G1-11/12, H1-13/14 RICO Automobile Zone, Jhunjhunu - 333001
44	Jodhpur	Thar Motor Company Private Limited	NH 62, pali road, village Mogra. Tahsil Luni, Jodhpur
45	Kanpur	Premier Trucking	Chak No -77, Gadankeda Kisan Nagar, Sachendi, Kanpur 209304
46	Karnal	Ridham Motors	Opp. New Grain Market, Near Samta Hyundai Showroom, GT Road, Karnal
47	Keonjhar	Tarini Motors P Ltd	NH-6, Sankarpur, PO: Nelung, Dist: Keonjhra, Odisha-758002
48	Kharagpur	Star India Agencies Pvt. Ltd.	"M/s Star India Agencies, NH-6, Rupnarayanpur, Kharagpur Dist- West Medinipur, West Bengal- 721 301"
49	Kolhapur	Trendy Wheels Private Limited	Plot No 448/B, Shiroli MIDC, Pune- Bangalore National Highway, Nagaon, Kolhapur - 416122

Sr. No.	Location	Dealer Name	Dealership Address
50	Korba	Ratan Automobiles	Vill: Jenjra, Korba Road, Katghora, District Korba - 495445, Chhattisgarh
51	Kota	Yadav Automotives	G-18, Automotive Zone, Indraprastha Industrial Area, Kota - 324005
52	Leh	Mentokling Motors	Near SBI Choglamsar, Leh, Ladakh- 194101
53	Lucknow	Sun Infraengineering Pvt. Ltd.	Khasra No-79 & 72, Village Pahadpur, Thana Banthra, Pargana - Bijnaur, Tehsil Sarojini Nagar, Lucknow - 226401
54	Ludhiana	Garyson Automobile	"Showroom - Sherpur Chowk, G. T. Road, Ludhiana - 141003, Punjab Workshop - Near Garyson Tata workshop, Threekay Road, Ferozpur Road, Ludhiana"
55	Madurai	Jai Vijai Motors	21/A1A, Dindugul Bye Pass Road, Near Bharath Rubber Factory, Thriuvayallanallur, Madurai-625221
56	Malda	S. N. Motors Pvt. Ltd.	P. O. Narayanpur, Malda - 732191, West Bengal
57	Moradabad	Mahalaxmi Autoworld Pvt Ltd.	10th Km, Rampur Road, P.O.Akka Dilari, Moradabad.-244001
58	Nagpur	Augusta Motors Pvt. Ltd.	M/s Augusta Motors Pvt Ltd, 18th km Milestone, Near Deshounnati Press, Amravati Road, At Post- Gondkhairi, Nagpur (Maharashtra) - 440 023
59	Nashik	Jitendras Auto World	m/s. Jitendras Auto World, 10th Mile Stone, Opp. Ambe Hill Jaulke Shivar, Mumbai-Agra Highway, Taluka Dindori, Nashik- 422 201 Contact No: 02557 279085
60	New Delhi	Greenland Motors Private Limited	"Showroom - BG-217, SANJAY GANDHI TRANSPORT NAGAR, DELHI 110042 Workshop - Khasra No - 56/1 and 56/2, G.T Karnal Road, Alipur, Village Bakoli, Delhi"
61	Panipat	Karan Automotives	101 Mile Stone, G. T. Road, Kohand, Karnal 132001
62	Panvel	Randhawa Motors (A Division of RAEPL)	"Sales Office: Shop No. 113, Agarwal Arcade VI, Sector 1, Shirwane, Nerul, Navi Mumbai 400706 Survey No 165, Hissa no3, Near DPS School, Village Shirdhon, Taluka-Panvel, Dist Raigad - 410221"
63	Patiala	Akshara Automotives Private Limited	Opp. Jasdev Singh Sandhu College, Village Multanpur, Rajpura Road, Patiala - 140701, Punjab
64	Pune	Tarawade Motors	Sr No.122, Off Dehuroad Katraj Bypass Highway, Opp. J.S.PM College, Tathawade, Pune - 411 033
65	Purnea	World Nice Automobiles Pvt. Ltd.	Dumka Chowk, NH 31, Gulababagh, Purnea, Bihar- 854 326.
66	Raipur	Ralas Wheels	"G.E Road, Nandanvan Turning, Chandandih, Raipur -492099, Chhattisgarh Mr. J.S. Virdi : 82259-59000, 82259-82000"
67	Rajkot	Trishul Autolink	Gondal Highway NH - 8B, Besides TB Hospital, Nr. Kangasiyali village, Rajkot - 360002
68	Ranchi	Nexera Motors Pvt. Ltd.	Manokamna Nagar, Tikra Toli, NH-23, Ranchi 835303, Jharkhand
69	Rewari	Global Automart Pvt. Ltd.	Khewat No. 29, Khatoni No.35, 87 Km. Stone ,Nikhri More, NH-8, Near Essar Petrol Pump, Rewari, Haryana, 123401
70	Rohtak	Global Automobiles	5 K.M. Stone, Opposite Lord Krishna College, VPO-Karonthha-Jhajjar Road, Rohtak-124001
71	Salem	SKS Automobiles	"S.No-124, Poimankaradu, Salem - Namakkal Highway (NH7), Gajjalnaikanpatty (PO) Salem-636 201 0427-2277000"
72	Satna	Shriram Motor Works Pvt. Ltd.	Industrial Area, Plot No 60, Rewa Road, Satna - 485001
73	Shahjahanpur	Narayan Power Solution	Ahmadpur Niwazpur, Near Vijaya Bank, Roza, Shahjahanpur - 242001
74	Silchar	Highway Motors	Vill. Bahadurpur, P. O. Rongpur Part -2, Silchar - 788 009, Assam
75	Siliguri	Khokan Motor Works Pvt. Ltd.	"Showroom: Paribahan Nagar, Matigara, Siliguri - 734010 Workshop: Bhutkihat, Near Gandar More, Jalpaiguri, Pin- 735135, West Bengal"
76	Singrauli	RDV Automotives India Pvt. Ltd.	MAIN ROAD NAUGARH NH75 , WAIDHAN, DIST.SINGRAULI,486887 (M.P)-486887
77	Solapur	Adiprabha Motors	Gat No: 195/2/K , Savaleshwar, Taluka-Mohol, District-Solapur 413213
78	Surat	Navjivan Automotive	"Head Office: 67, Shiv Ashish Society, Near SMC South zone office, Udhna, Magdalla Road, Surat-395002 Showroom & Workshop - Block No. 484, Opp. Ranodara Patiya, At. Po. Vesma, NH 8, Tal. Jalalpor, Dist. Navsari."
79	Tezpur	Indraprasth Motors	NH 37 (A), Dolabari, No 1, Tezpur-784027, Assam
80	Trichy	SJB Automobiles Private Limited	No:1,MKM Tannery, Opp Tee Tea Coach Builders, Ramjinagar, Tiruchirappalli-620009
81	Udaipur	Daksh Auto (India) Pvt. Ltd.	"N.H.76, Airport Road Opposite Power House Debari, Udaipur - 313024 Rajasthan Phone No: 98297 3366/80031 33555"
82	Vadodara	M K Motors	Survey 46/2, Plot No 2 Durga Industrial Estate, NH 8, Village : Sankarda, Taluka Vadodara, Dist :Vadodara, Gujarat - 391350
83	Varanasi	Balaji Banaras Commercial Vehicle Pvt. Ltd.	Plot No. 63&66 ,Village- Tengra Varanasi to Mirzapur Highway on NH-7 Tengra Modh,Ramnagar,Varanasi-221008
84	Varanasi	Meru Infrastructure Private Limited	Sagunaha, Babatpur, Opp. Sanchetna Petrol Pump, Varanasi - 221006
85	Vijayawada	CMR Automotives Pvt. Ltd.	Plot No: 328 & 329, Block No: 15, New Auto Nagar, Apiciala Panchayat, Kanuru, Penamaluru(M), Vijayawada - 520007
86	Vizag	CMR Automotives Pvt. Ltd.	Plot No 200-A, D Block, Auto Nagar, Vizag - 530012
87	Warangal	Srinivasa Automotives	Mulugu Road, D-6, Industrial Estate, Warangal, Warangal Urban, Telangana, 506007



Mahindra brings you MTRUST, the best way to buy used Mahindra trucks. We put each vehicle through 166 tough health checks. Refurbish with only Mahindra spares. All to give you trucks that are as good as new and outperform right from the start.

• UP TO 12 MONTHS WARRANTY • 1/2/3 STAR RATINGS • UP TO 3 FREE SERVICES • ROADSIDE ASSISTANCE • REFINANCE OPTIONS



Corporate: contactmtb@mahindra.com
Customer Care: now24x7@mahindra.com



www.mahindratruckandbus.com



Mahindra & Mahindra Ltd.,
Truck and Bus Division, Marketing Division,
2nd Floor, Mahindra Towers, Worli, Mumbai 400 018.

Note: In view of our policy of continuously improving our products, we reserve the right to alter specifications or design without prior notice and without liability. Illustrations do not necessarily show the vehicle in its standard form. Accessories shown are not part of the standard equipment. Colour shades shown may vary. E. & O.E.

DEALER STAMP



visit www.mahindratruckandbus.com



MOBILE SERVICE VANS
& WORKSHOPS



COUNTRY-WIDE SPARES
& SERVICE NETWORK